

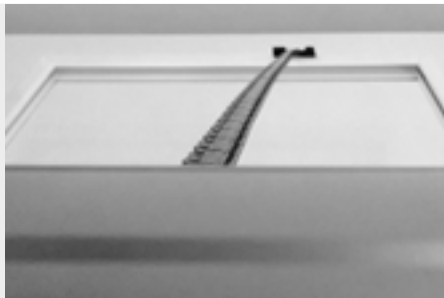
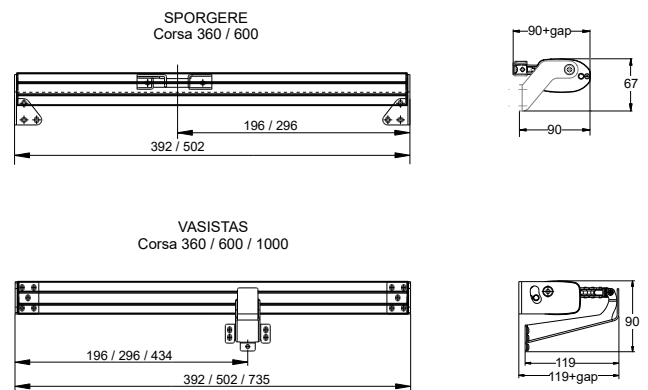
C160

Chain actuator
Thrust force 300N
Stroke 360mm - 600mm - 1000mm



DESCRIPTION FOR TECHNICAL SPECIFICATIONS

Electric actuator Topp model C160 with double-link chain, complete with brackets and accessories for top or bottom hung windows. Operation at 230V ~ 50Hz. Max. thrust force 300N. Stroke 360 - 600 - 1000 mm. CE marked device.



Elegant and attractive aluminium profile with swivel brackets versatile and easy to install.



Available also for installation on side hung windows.

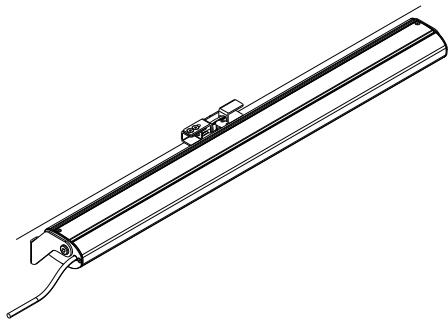


Long chain up to 1 meter enclosed in a slim housing (actuator 656mm wide).

TECHNICAL CHARACTERISTICS

	C160 360	C160 600	C160 1000
Power voltage:	230V ~ 50Hz		
Max applicable load in thrust	300 N	300 N	50 N
Max applicable load in traction	200 N	200 N	185 N
Stroke for top-hung application	360 mm	600 mm	1000 mm
Stroke for bottom-hung application	322 mm	562 mm	962 mm
Absorbed current	0,12 A	0,14 A	0,14 A
Idle translation speed	8 mm/s	8 mm/s	8 mm/s
Duration of the idle stroke *	46 s	75 s	125 s
Double insulated	YES		
Service type	S2 of 4 min		
Operating temperature	-5° +50°		
Protection Class	IP30		
Stroke end regulation in closure	not necessary		
Parallel connection option	YES		
Possibility of installing double push point on the same window	YES	NO	NO
Stroke end	Electronic in opening, by amperometric absorption in closing		

CODE PRODUCT DESCRIPTION



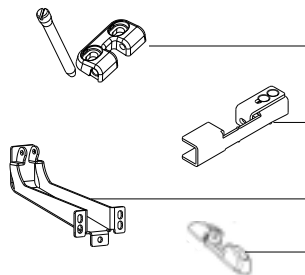
C160 standard 1 push point

C160 chain actuator 230V stroke 360mm Top-hung application
C160 chain actuator 230V stroke 360mm Bottom-hung application
C160 chain actuator 230V stroke 600mm Top-hung application
C160 chain actuator 230V stroke 600mm Bottom-hung application
C160 chain actuator 230V stroke 1000mm Top-hung application
C160 chain actuator 230V stroke 1000mm Bottom-hung application

**Description of the standard pattern, 1 push point.
Application on top hung windows**

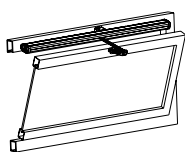
3E20#000005751	C160 chain actuator 230V stroke 600mm Iron hooking device for top-hung and bottom hung (outwards opening) for C60 and C160 600/1000 stroke Couple of swivel frontal brackets C160
----------------	--

Accessories and spare parts

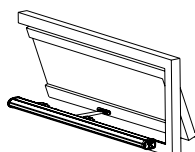


3A3050	Hooking device for top-hung and bottom hung (outwards opening) for C160 360 stroke
3E3100	Iron hooking device for top-hung and bottom hung (outwards opening) for C60 and C160 600/1000 stroke
1E2804	C160 bottom-hung bracket for single push point
1UA003	ARS Rapid hooking device to the frame - grey

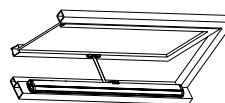
Special stroke < 1000 mm available.



Bottom-hung windows



Top-hung windows



Cupolas and skylights