

Video door phone - V400 RTS

EN User's manual

CONTENTS

IMPORTANT INFORMATION - SAFETY	1
General information	1
General safety advice	1
Conditions for use	1
Recycling	1
Product description	2
USE	4
Responding to a visitor	4
Opening the gate	4
Unlocking the electric door-opener/lock	4
Image memory function	4
VIDEO ENTRY PHONE SETTINGS	5
Monitor	5
Door station	5
CONTROLLING SOMFY RTS WIRELESS EQUIPMENT	5
MAINTENANCE	6
Replacing the battery	6
Cleaning	6
TECHNICAL DATA	6

IMPORTANT INFORMATION - SAFETY

General information

Read this guide and the safety instructions carefully. All the instructions given must be followed closely and this guide must be stored in a safe place throughout the service life of your product.

Any installation or use outside the sphere of application specified by Somfy is forbidden. This invalidates the warranty and discharges Somfy of all liability, as does any failure to comply with the instructions given herein.

Somfy cannot be held responsible for any changes in standards which come into effect after the publication of this guide.

Somfy hereby declares that this product conforms to the essential requirements and other relevant provisions of Directive 1999/5/CE. A Declaration of Conformity is available at www.somfy.com/ce (7" video doorphone).

Images are not contractually binding.

General safety advice

Do not let children play with the control point.

Never immerse the control point in liquid.

This product is not designed to be used by persons (including children) whose physical, sensory or mental capacity is impaired, or persons with little experience or knowledge, unless they are under supervision or have received instructions on using this product by a person responsible for their safety.

Conditions for use

The radio range is limited by the radio appliance control standards.

The radio range is heavily dependent on the environment in which it is used: interference may be caused by having large-scale electrical equipment near the installation and by the type of material used in the walls and partitions.

The use of a radio appliances (e.g. a set of Hi-Fi radio headphones) operating on the same radio frequency might be detrimental to the product's performance.

Recycling



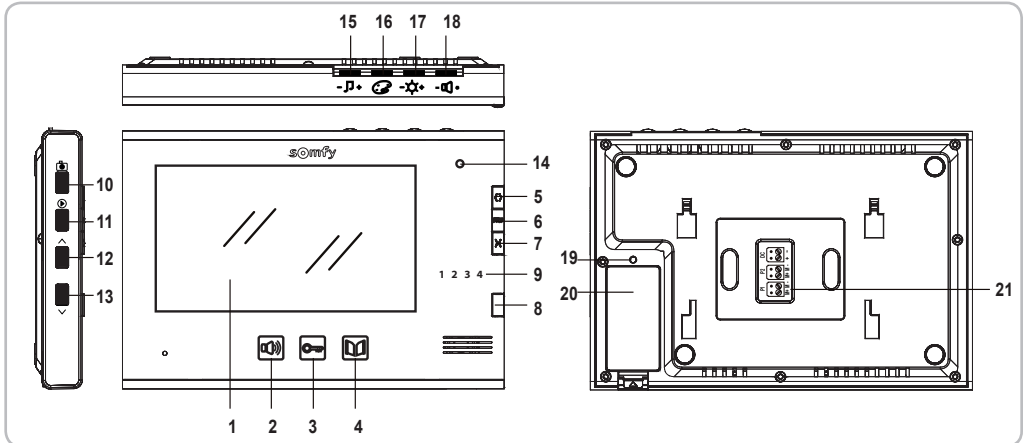
Do not dispose of this product or its flat battery with the household waste. Please take them to a collection point or an approved centre to ensure they are recycled correctly..

Product description

The video entry phone comprises an indoor monitor and a door station. The indoor monitor is connected to the door station using 2 wires. The door station can then be connected to a gate motorisation or to an electric door-opener/lock, 12 V AC or DC - 800A max. This allows the video entry phone to be used to control a small or large gate.

The indoor monitor is also fitted with an RTS (Radio Technology Somfy) radio transmitter. This wireless control is used to operate a garage door, lighting, roller shutters or even a Somfy gate.

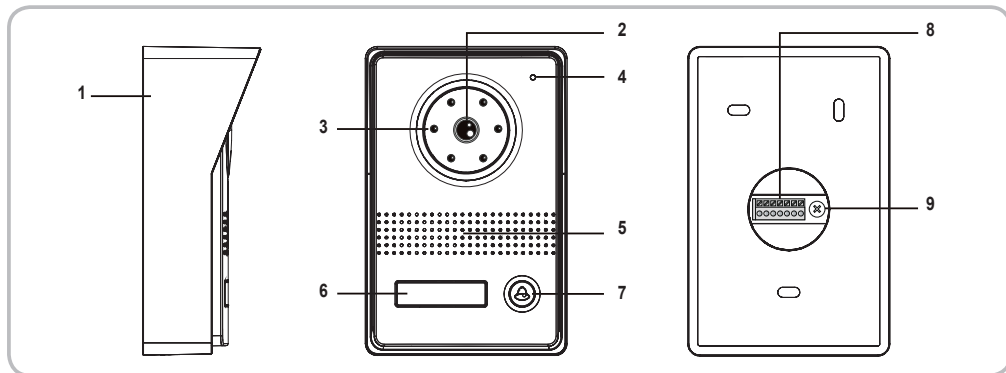
► Monitor



No.	Designation	Description
1	Screen	Used to view the visitor.
2	Microphone activation button	Activates the microphone on the monitor to speak to a visitor. Enables the monitor bell to be selected.
3	Electric door-opener/lock button	Controls the electric door-opener/lock.
4	Gate button	Controls the motorised gate.
5	Open/On button	Control for opening the gate, roller shutter or garage door or for switching lighting on.
6	STOP Button	Stops the movement of the gate, roller shutter or garage door.
7	Closed/Off button	Control for closing the gate, roller shutter, garage door or for switching lighting off.
8	Channel selection button	Enables the radio channel controlling a product or a group of products to be selected: garage door, roller shutter, lighting, gate or product associated with the 5th channel (see page 5 for more information on the channels).
9	Channel indicator lights	Each indicator light represents one channel.
10	Photo button	Enables a photo to be taken.
11	Read button	Used to switch to individual or multiple photo read mode.
12	Navigation button	Enables the previous photo to be viewed.
13	Navigation button	Enables the next photo to be viewed.
14	Microphone activation indicator light	This informs the user that the microphone on the monitor is on to enable communication with the visitor.
15	Bell volume dial	This is used to adjust the volume of the monitor bell.
16	Screen colours dial	This is used to adjust the screen colours on the monitor.
17	Screen brightness dial	This is used to adjust the screen brightness on the monitor.
18	Speaker volume dial	This is used to adjust the volume of the speaker on the monitor.
19	PROG button	This is used to program the monitor to wirelessly control RTS (Radio Technology Somfy) equipment.
20	Battery housing	Housing for CR2430-type battery (<i>battery included</i>) on the radio transmitter.
21	Terminal block	This is used to connect the monitor to the door station and the power supply.

► Door station


EN



No.	Designation	Description
1	Rain shield	Protects the camera from the rain.
2	Camera	Films the visitor and send the image to the monitor.
3	Led lighting	Provides enhanced night vision.
4	Microphone	This enables the visitor to speak to the person indoors.
5	Speaker	This enables the visitor to hear the person indoors.
6	Backlit name-tag Label	Indicates your name on a label.
7	Backlit call button	Visitors can use this button to ring the bell on the monitor. The camera and the monitor screen are switched on.
8	Terminal block	Used to connect the monitor station to a gate motorisation or an electric door-opener/lock.
9	Speaker volume adjustment button	This is used to adjust the volume of the door station speaker.

USE

Responding to a visitor

When a visitor presses the call button  on the door station, the monitor rings twice and an image of the visitor is displayed.


Press the microphone activation button . The microphone activation indicator light comes on.

You can communicate with your visitor.

Note: You can communicate with your visitor for a maximum of 2 minutes.


If you press the microphone activation button  again, the monitor screen goes off and communication is cut off.

Opening the gate

With the monitor screen switched on or off, press the button .

If the monitor screen is on, it will switch off when the gate opens.

Unlocking the electric door-opener/lock

With the monitor screen switched on or off, press the unlock button .


If the monitor screen is switched off, it switches off when the electric door-opener/lock is unlocked.

Image memory function


The monitor can store up to 400 photos.

Every time a visitor calls, a photo is taken automatically.

► Taking a photo of a visitor

During communication with a visitor, press the photo button  to take a photo of the visitor.

► Displaying the stored photos

[1]. With the screen on or off, press the read button  to display the most recently taken photos, then press the buttons \wedge \vee to display the 6 next or previous photos.

[2]. Press the read button  again to display a photo on the full screen, then press the keys \wedge \vee to display the next or previous photo.

On each photo:

- the photo number is displayed in the top left-hand corner,
- the date and time at which the photo was taken is displayed at the bottom of the screen.

Note: After 10 seconds of no activity, the monitor screen switches off automatically.

► Clearing one photo or all photos

→ Clearing a photo

Select the photo with the buttons \wedge \vee then press the photo button .


→ Clearing all the photos


To clear all the photos, the photo memory must be full (400 photos).

Briefly press the photo button  then press button \vee for 3 seconds.

► Setting the date and time

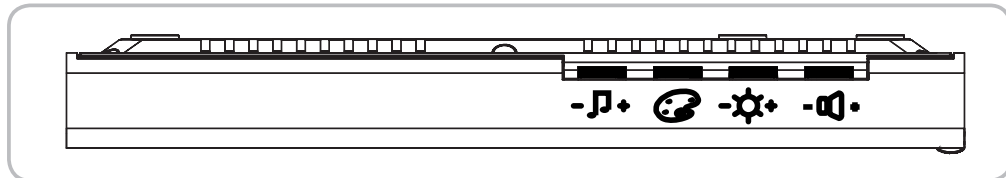
[1]. Press the photo button  until the screen comes on. The date flashes.

[2]. Each time the photo button  is pressed, you access the following setting in the order: year - month - day - hour - minute.
Use the buttons \wedge \vee to set the date and time.

[3]. Press the photo button  to exit date and time setting mode. The monitor screen goes off.

VIDEO ENTRY PHONE SETTINGS

Monitor



	Bell volume dial	This is used to adjust the volume of the monitor bell.
	Screen colours dial	This is used to adjust the screen colours on the monitor.
	Screen brightness dial	This is used to adjust the screen brightness on the monitor.
	Speaker volume dial	This is used to adjust the volume of the monitor.

► Changing the monitor bell

There is a choice of two bells for the monitor.

To change the monitor bell, press and hold down the microphone activation button for approximately 7 seconds. The new monitor bell sounds twice.

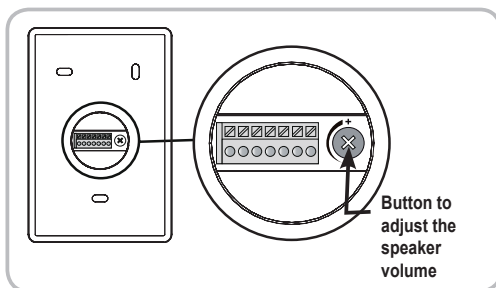
To change the bell again, carry out the above operation again.

Door station

► Adjusting the speaker volume

To adjust the door station speaker volume, use a screwdriver to turn the button on the back of the door station:

- clockwise to increase the volume,
- anti-clockwise to reduce the volume.



CONTROLLING SOMFY RTS WIRELESS EQUIPMENT

[1]. Selected the channel associated with the equipment that you want to control by pressing the channel selection button: the indicator light for the selected channel will flash.

Press the channel selection button (no. 8, page 2) as many times as necessary until the indicator lights show the desired channel.

Channel 1: 1 2 3 4

Channel 2: 1 2 3 4

Channel 3: 1 2 3 4

Channel 4: 1 2 3 4

Channel 5: 1 2 3 4

[2]. Control your equipment using the Open/On, STOP and Close/Off buttons on the monitor.

The equipment will react as stated in the table below:

Press button:				
	Opening			On
STOP	Off			-
X	Close			Off

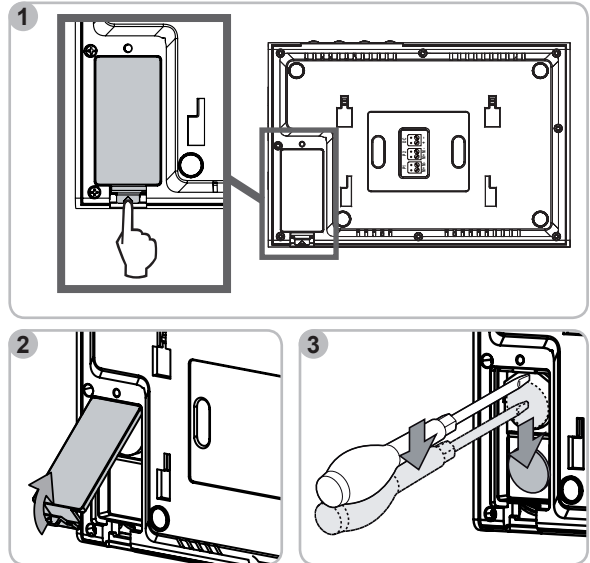
MAINTENANCE

Replacing the battery

Equipment is controlled wirelessly thanks to a radio transmitter built into the monitor which is battery powered.

If wireless control does not work properly, the battery may be low and should be changed.

To change the battery, open the battery housing at the back of the monitor and replace the flat battery with one of the same type (CR2430-type 3V battery).



Cleaning

The video entry phone should be cleaned using a soft, dry cloth; do not use solvents.

Before cleaning, switch off the equipment.

TECHNICAL DATA

Monitor		
Power supply		100-240 VAC/ 50-60 Hz; 17 VDC
Screen		Colour - TFT 7" - resolution: 480 x 234 pixels
Max. communication time		2 minutes
Operating temperature		-10°C to +55°C
Radio transmitter	Frequency	433.42 MHz
	Power supply	3 V type CR2430
	Range	200 m (in open space)
Door station		
Power supply		14.5 V DC
Camera		1/3 CCD 72°
Night vision		0.05 LUX visible LEDs
Operating temperature		-20°C to +55°C

Somfy

50 avenue du Nouveau Monde
BP 152 - 74307 Cluses Cedex
France

www.somfy.com

Somfy Worldwide

Argentina : Somfy Argentina

+55 11 (0) 4737-37000

Australia : Somfy PTY LTD

+61 (0) 2 9638 0744

Austria : Somfy GesmbH

+43(0) 662 / 62 53 08 - 0

Belgium : Somfy Belux

+32 (0)2 712 07 70

Brasil : Somfy Brasil STDA

+55 11 (0) 6161 6613

Canada : Somfy ULC

+1 (0) 905 564 6446

China : Somfy China Co. Ltd

+8621 (0) 6280 9660

Cyprus : Somfy Middle East

+357 (0) 25 34 55 40

Czech Republic : Somfy Spol s.r.o.

(+420) 296 372 486-7

Denmark : Somfy Nordic AB Denmark

+45 65 32 57 93

Finland : Somfy Nordic AB Finland

+358 (0) 957 13 02 30

France : Somfy France

+33 (0) 820 374 374

Germany : Somfy GmbH

+49 (0) 7472 9300

Greece : Somfy Hellas

+30 210 614 67 68

Hong Kong : Somfy Co. Ltd

+852 (0) 2523 6339

Hungary : Somfy Kft

+36 1814 5120

India : Somfy India PVT Ltd

+91 (0) 11 51 65 91 76

Indonesia : Somfy IndonesiaEra

+62 (0) 21 719 3620

Iran : Somfy Iran

+98 21 88 63 52 43

Israel : Sisa Home Automation Ltd

+972 (0) 3 952 55 54

Italy : Somfy Italia s.r.l

+39-024 84 71 84

Japan : Somfy KK

+81 (0)45-475-0732

+81 (0)45-475-0922

Jordan : Somfy Jordan

+962-6-5821615

Kingdom of Saudi Arabia : Somfy Saoudi

Riyadh : +966 1 47 23 203

Jeddah : +966 2 69 83 353

Kuwait : Somfy Kuwait

00965 4348906

Lebanon : Somfy Middle East

+961(0) 1 391 224

Malaysia : Somfy Malaysia

+60 (0) 3 228 74743

Mexico : Somfy Mexico SA de CV

+52(0) 55 5576 3421

Morocco : Somfy Maroc

+212-22951153

Netherlands : Somfy BV

+31 (0) 23 55 44 900

Norway : Somfy Norway

+47 67 97 85 05

Poland : Somfy SP Z.O.O

+48 (0) 22 509 53 00

Portugal : Somfy Portugal

+351 229 396 840

Romania : Somfy SRL

+40 - (0)368 - 444 081

Russia : Somfy LLC

+7 095 781 47 72

Singapore : Somfy PTE LTD

+65 (0) 638 33 855

Slovak Republic : Somfy Spol s.r.o.

(+421) 33 77 18 638

South Korea : Somfy JOO

+82 (0) 2 594 4333

Spain : Somfy Espana SA

+34 (0) 934 800 900

Sweden : Somfy Nordic AB

+46 (0) 40 165900

Switzerland : Somfy A.G.

+41 (0) 44 838 40 30

Syria : Somfy Syria

+963-9-55580700

Taiwan : Somfy Taiwan

+886 (0) 2 8509 8934

Thailand : Somfy Thailand

+66 (0) 2714 3170

Turkey : Somfy Turkey

+90 (0) 216 651 30 15

United Arab Emirates : Somfy Gulf

+971 (0) 4 88 32 808

United Kingdom : Somfy LTD

+44 (0) 113 391 3030

United States : Somfy Systems Inc

+1 (0) 609 395 1300